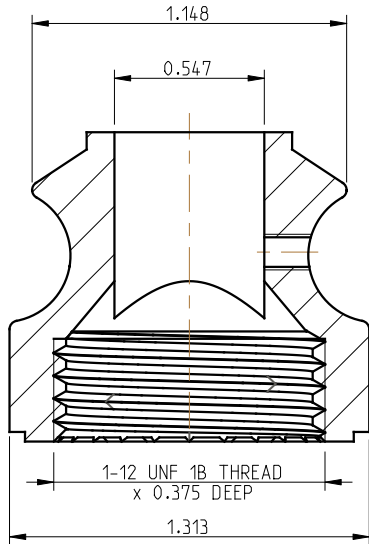
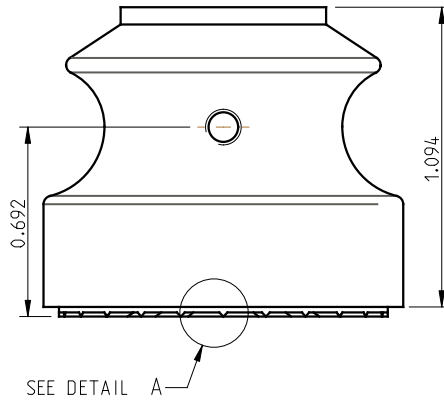


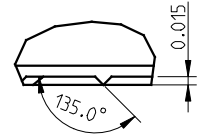
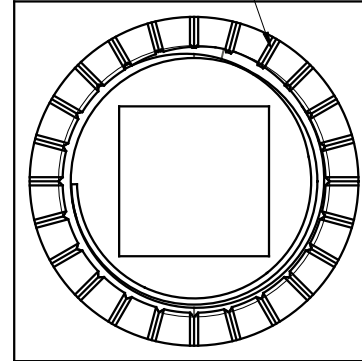
ALL DIMENSIONS IN INCHES



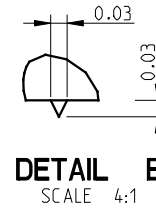
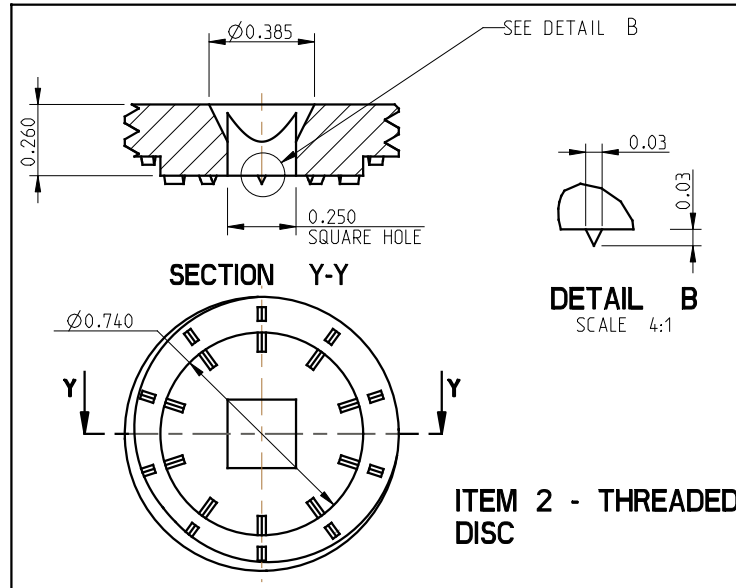
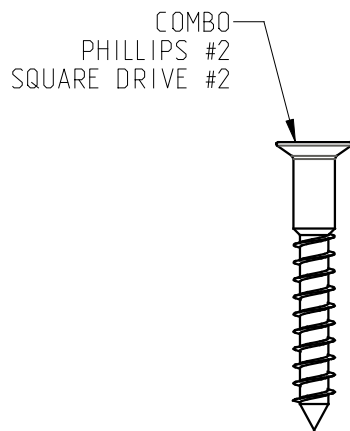
**ITEM 1 - THREADED BASE COLLAR**



DETAIL A APPLIES  
24 PLACES




**DETAIL A**  
SCALE 4:1  
TYP. 48 PLACES



**DETAIL B**  
SCALE 4:1

**ITEM 2 - THREADED DISC**

 <p><b>L.J. Smith</b> Stair Systems</p> <p>35280 Scio-Bowerston Road Bowerston, OH 44695-9731 Phone (740) 289-4111 FAX (740) 289-9047 <small>This drawing is the property of L.J. Smith Co. Do not use or copy without permission from L.J. Smith.</small></p>		
Drawing Name		
LI-PROCOL		
Date	Scale	Drawn By
	DO NOT SCALE	
File Name DESTROY PREVIOUS PRINTS		
SALES		