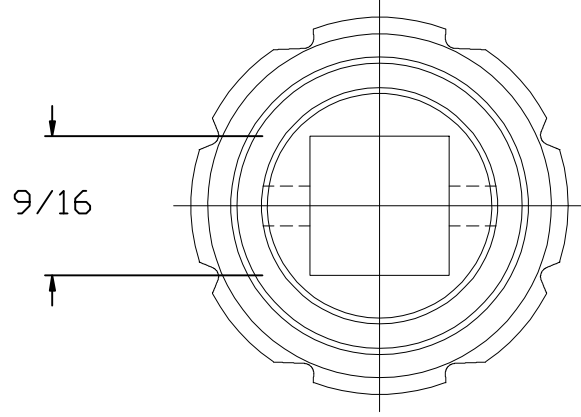


2 PCS



35280 Scio-Bowerston Road
Bowerston, OH 44695-9731

Phone (740) 289-4111 FAX (740) 289-9047
This drawing is the property of L.J. Smith Co. Do not use or copy without permission from L.J. Smith.

Drawing Name		
LI-ALAK02		
Date	Scale	Drawn By
03/24/11	DO NOT SCALE	BRR
File Name DESTROY PREVIOUS PRINTS		
AK02	ENG	SALES