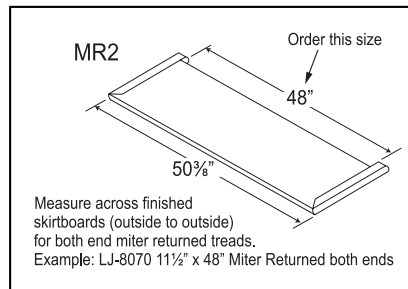
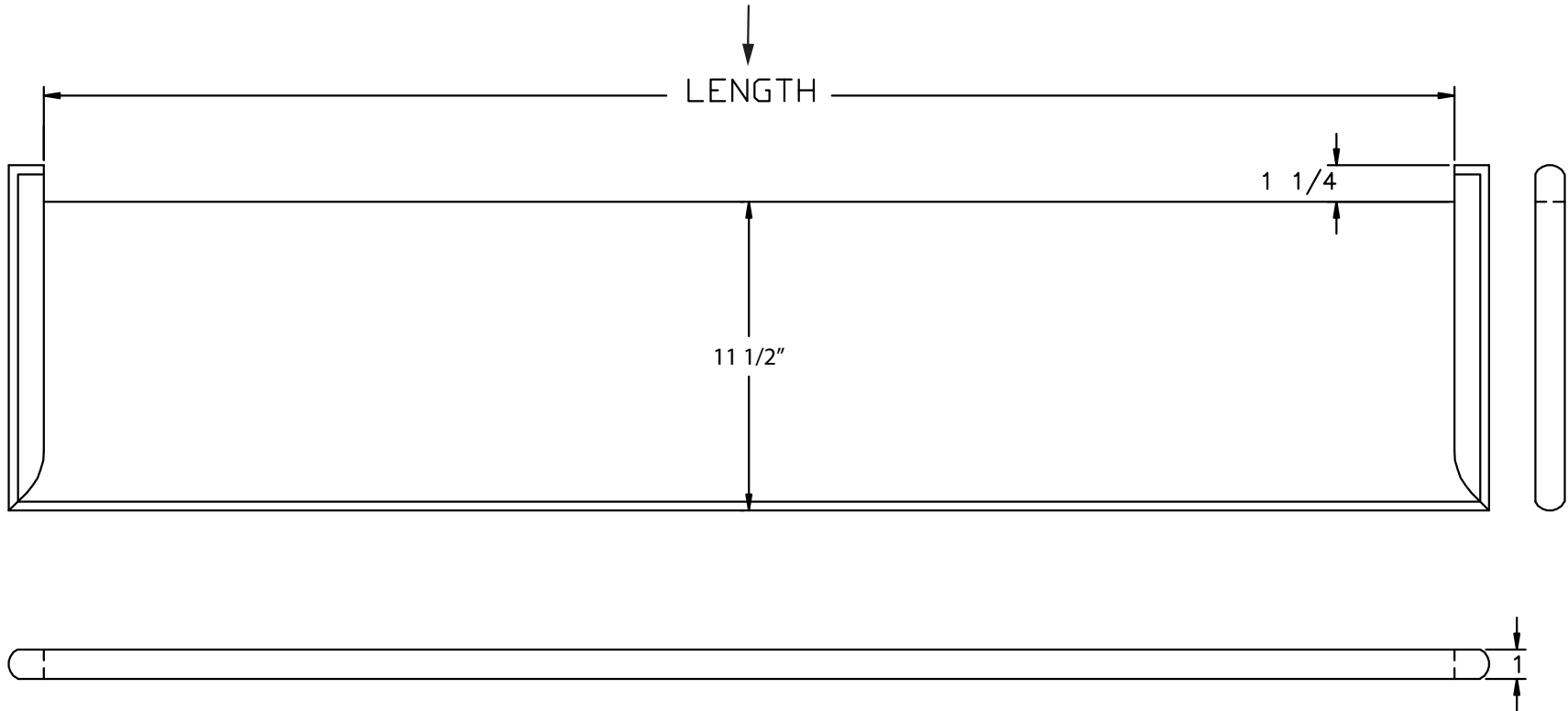


Specify width between 117-5/8" to 141-1/2"



Measure across finished skirtboards (outside to outside) for both end miter returned treads.
Example: LJ-8070 11 1/2" x 48" Miter Returned both ends



35280 Scio-Bowerston Road
Bowerston, OH 44895-9731
Phone (740) 289-4111 FAX (740) 289-8047
This drawing is the property of L.J. Smith Co. Do not use or copy without permission from L.J. Smith.

Drawing Name		
8070ID-118141		
Date	Scale	Drawn By
	DO NOT SCALE	
File Name	DESTROY PREVIOUS PRINTS	
8070	SALES	